

CASTLE

MOTORIZED BUTTERFLY VALVES



JAS-ANZ



Acc. No: 031112041N

ISO-9001:2000

CASTLE MOTORIZED BUTTERFLY VALVES

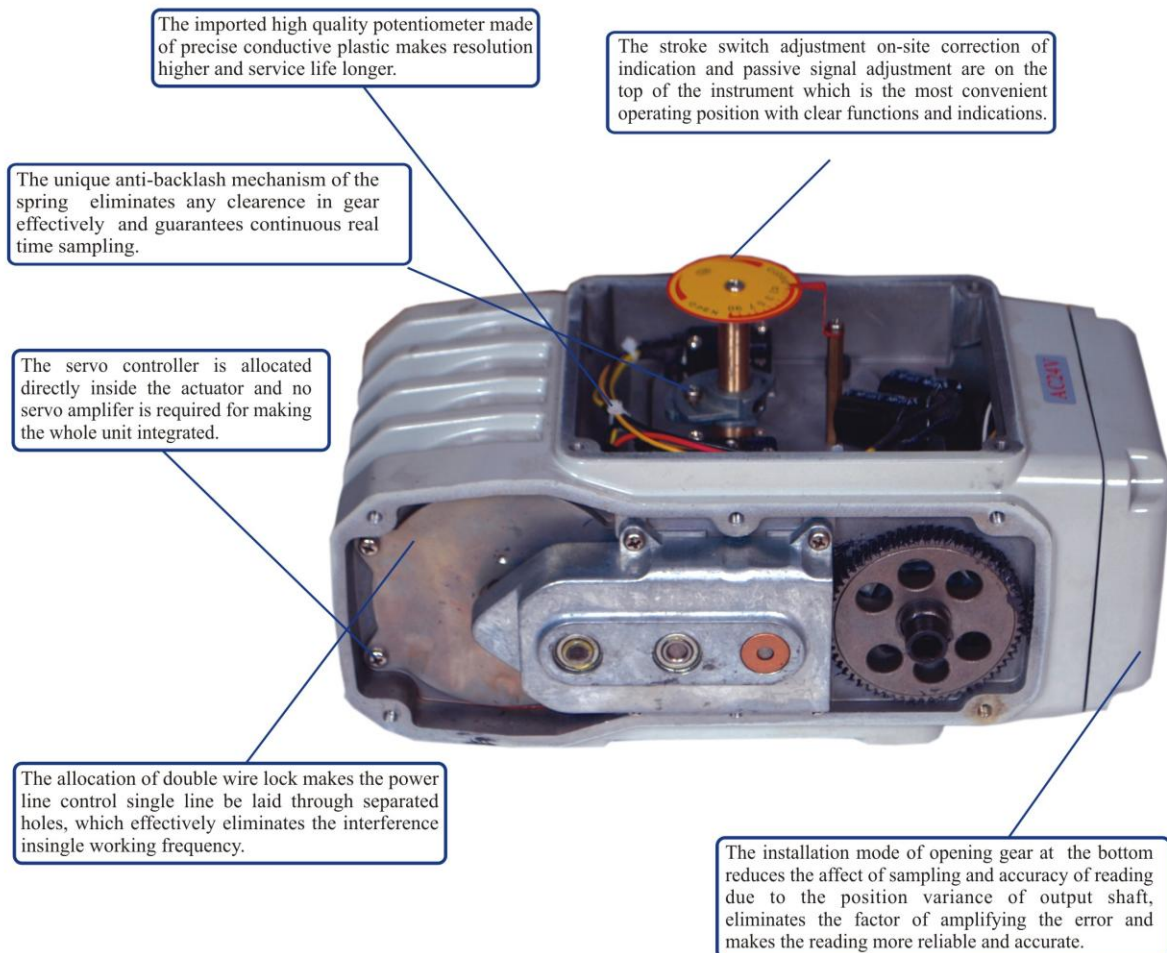
Applications

These valves are designed to meet the stringent needs of HVAC and commercial applications requiring tight shut-off for liquids. Typical applications include chiller isolation, cooling tower isolation, change-over systems, large air handling coil control, bypass and process control applications. The large Kv values provide economical control valve solution for large flow applications.

Valve Features

The disc casting is precision machined and epoxy coated which gives a smooth and close disc-to-seat relationship. The non-corrosive bushing completely isolates the valve shaft from the body resulting in increased control of the valve disc, lower valve torque and longer valve life. Innovative double D pin-less stem technology realizes more compact and stronger structure. The pairing of valves with C-series advanced electrical actuator provides a highly reliable and economical solution.

Actuators Unique Features



SALIENT FEATURES OF CASTLE C-SERIES ELECTRIC ACTUATORS



1. Gear driving unit is made of heat treated steel alloy having high strength and excellent wear resistance.
2. The crank handle required for manual operation is detachable to minimize the dimension of actuators.
3. The integral construction of the wormgear and drive shaft provides long term and reliable operation with high output torque.
4. The visual position indicator with tempered glass provides anti-ageing & temprature resistance along with excellent clarity to the actuator.
5. The high quality compenents ensure long term and stable operation of electric actuators.
6. The stainless steel stroke bolt and cam provides 0-90 adjustability.

TYPES OF ROTARY ELECTRICAL ACTUATORS

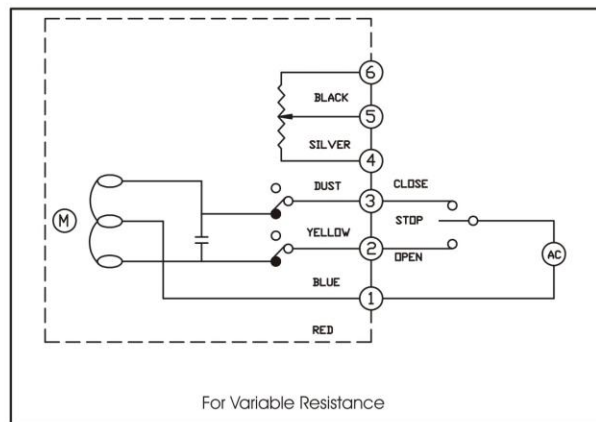
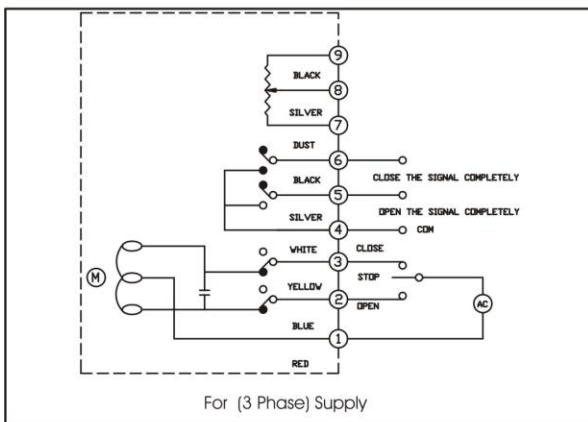
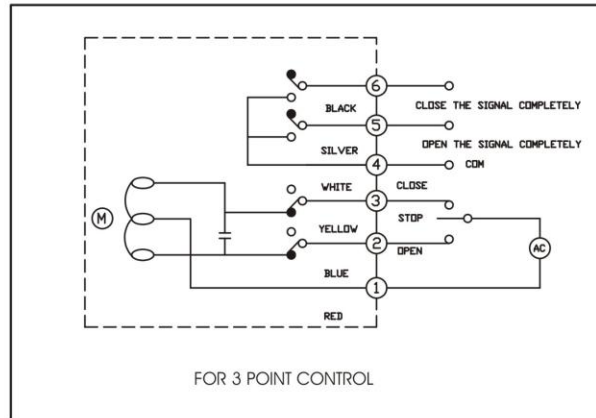
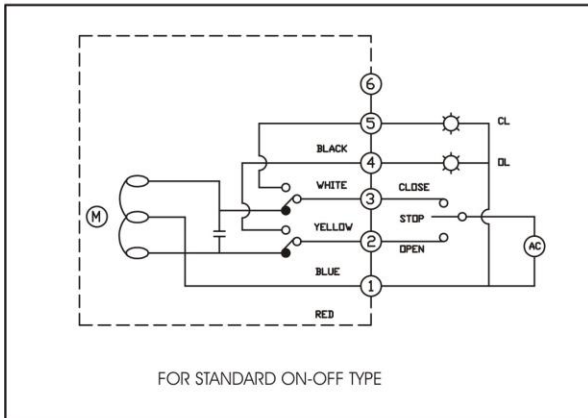
ON/OFF TYPE WITH FEEDBACK SIGNAL : BMS compatible, Quarter turn actuators with manual override option. Both NO & NC options available along with position indicator and over-torque protection features.

MODULATING TYPE : BMS compatible with intelligent control, quarter turn actuators with manual override options for realizing high accuracy and precise control. Input signal:4-20 mA/2-10V DC & Output signal:4-20 mA/2-10V DC along with over-torque protection & position indicator.

Types	Output Torque	Action Time(s)	Turning Angle (Max.range)	Total weight (kg)	Insulation protection class	Power Supply	Valves to be matched (only for reference)		
							Butterfly vlave >PN1.0 MPa	Butterfly vlave >PN1. 6 MPa	Ball valve
C-05	50Nm	60S	0-90	2.5Kg	IP 67	DC24V/AC24V AC110V/AC220V/AC380V	DN50-65	DN40	DN50-80
C-10	100Nm	60S		DN80-100			DN50-65	DN100-200	
C-25	250Nm	60S		DN125-150			DN80-100	DN250-300	
C-50	500Nm	60S		DN200			DN125	DN350-450	
C-60	600Nm	60S		DN250			DN150	DN500-600	
C-100	1000Nm	60S		DN300-350			DN200	DN700-800	
C-200	2000Nm	60S		DN400-500			DN300	DN1000	

The opening torque of valve changes greatly with the differences in medium types, site conditions, working characteristics and pressure fluctuation. In order to ensure the actuator to work in a stable and reliable manner, it is necessary to have enough allowance in selection. It is suggested to have 1.1-1.5 times allowance factor which is output torque of value tested with pressure > 1.1-1.5 times.

Control Circuits :



Other Applications of CASTLE Electric Actuators



CASTLE

C-51, MAYAPURI INDUSTRIAL AREA, PHASE-II, NEW DELHI-110064.
 Email : castlevalves@hotmail.com Website : www.castlevalves.com
 Phone : +91-11-28111712, 28113713, 28115714,